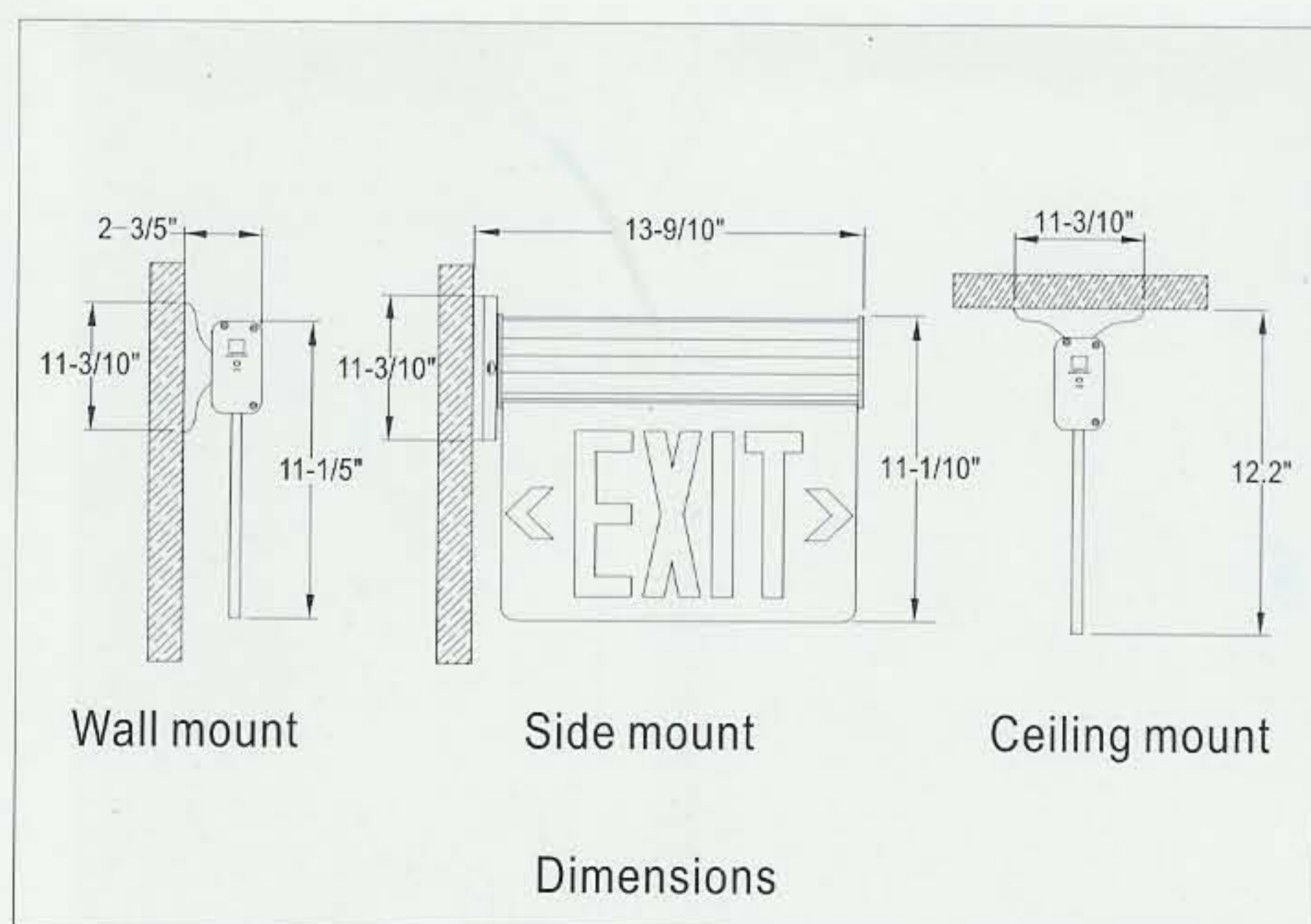


LED Edge-Lite Exit Sign with Battery Backup



- EL-800S LED Edge-Lite Exit Sign, Single Face
- EL-800D LED Edge-Lite Exit Sign, Double Faces

STANDARD FEATURES

HOUSING

- ▶ Compact and decorative design.
- ▶ Rigid aluminum housing.
- ▶ Etched, clear acrylic edge-lite panel.
- ▶ Removable directional indicators.
- ▶ Letters 6" height with 3/4" stroke.
- ▶ Single or double face configuration.

MOUNTING

- ▶ Universal (Wall, Side or Ceiling) mounting.

ELECTRICAL FEATURES

ELECTRICAL

- ▶ 120/277VAC dual voltage operation.
- ▶ Low energy consumption - only 3 watts at 120V.
- ▶ LED indicator light and test switch.

LAMPS

- ▶ LED lamps are operating in normal (AC input) and emergency (DC input) modes.

BATTERY

- ▶ Nickel-Cadmium battery (4.8V 650mA) delivers more than 3 hours capacity to emergency lamps.
- ▶ 24 hours recharge after 90 minutes discharge.
- ▶ Low voltage battery disconnection - Preventing deep discharge damage to the battery.

ORDERING INFORMATION

Item No.	Number of Faces	Letter Color	Housing Color	IR Test Option	Diagnostics
EL-800	S: Single Face D: Double Face	R: Red G: Green	AL : Aluminum WH: White BK : Black PB : Polished Brass	1R1: 30sec test 1R2: 30sec or 90min test	CT