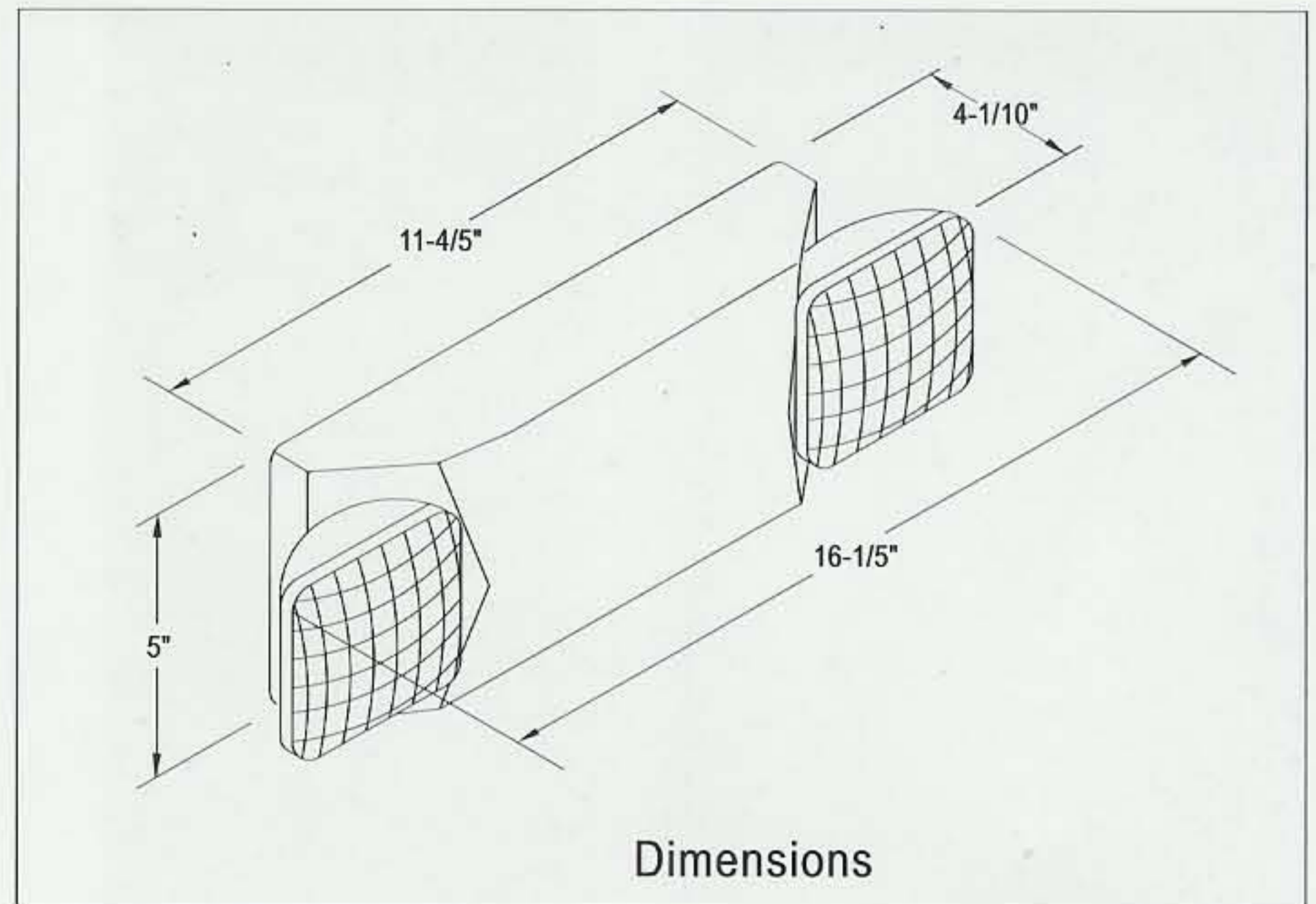


Incandescent Emergency Light with Battery Backup



EXL-990S Dual Head Emergency Light

STANDARD FEATURES

HOUSING

- ▶ Injection-molded thermoplastic ABS housing.
- ▶ UL 94V-0 flame rating.
- ▶ Innovative, snap-together design allows for fast and easy installation.
- ▶ Two fully adjustable glare-free square shape light heads for emergency light.

MOUNTING

- ▶ Wall or Ceiling mounting.
- ▶ Easily removed mounting knock-outs and J-box pattern on back panel.

ELECTRICAL FEATURES

ELECTRICAL

- ▶ 120/277VAC Dual voltage operation.
- ▶ Test switch and charge rate indicator.

LAMPS

- ▶ 2 X 6V 5W DC T5 wedge base lamps for emergency mode.

BATTERY

- ▶ Lead-Calcium Battery (6V 4.5Ah) delivers more than 90 min. capacity to emergency lamps.
- ▶ 24 hours recharge after 90 min. discharge.
- ▶ Low voltage battery disconnection - preventing deep discharge damage to the battery.

ORDERING INFORMATION

Item No.	Housing Color	IR Test Option	Diagnostics	Application
EXL-990S	W: White B: Black	IR1 : 30sec test IR2 : 30sec or 90min test	CT	DL: Damp location