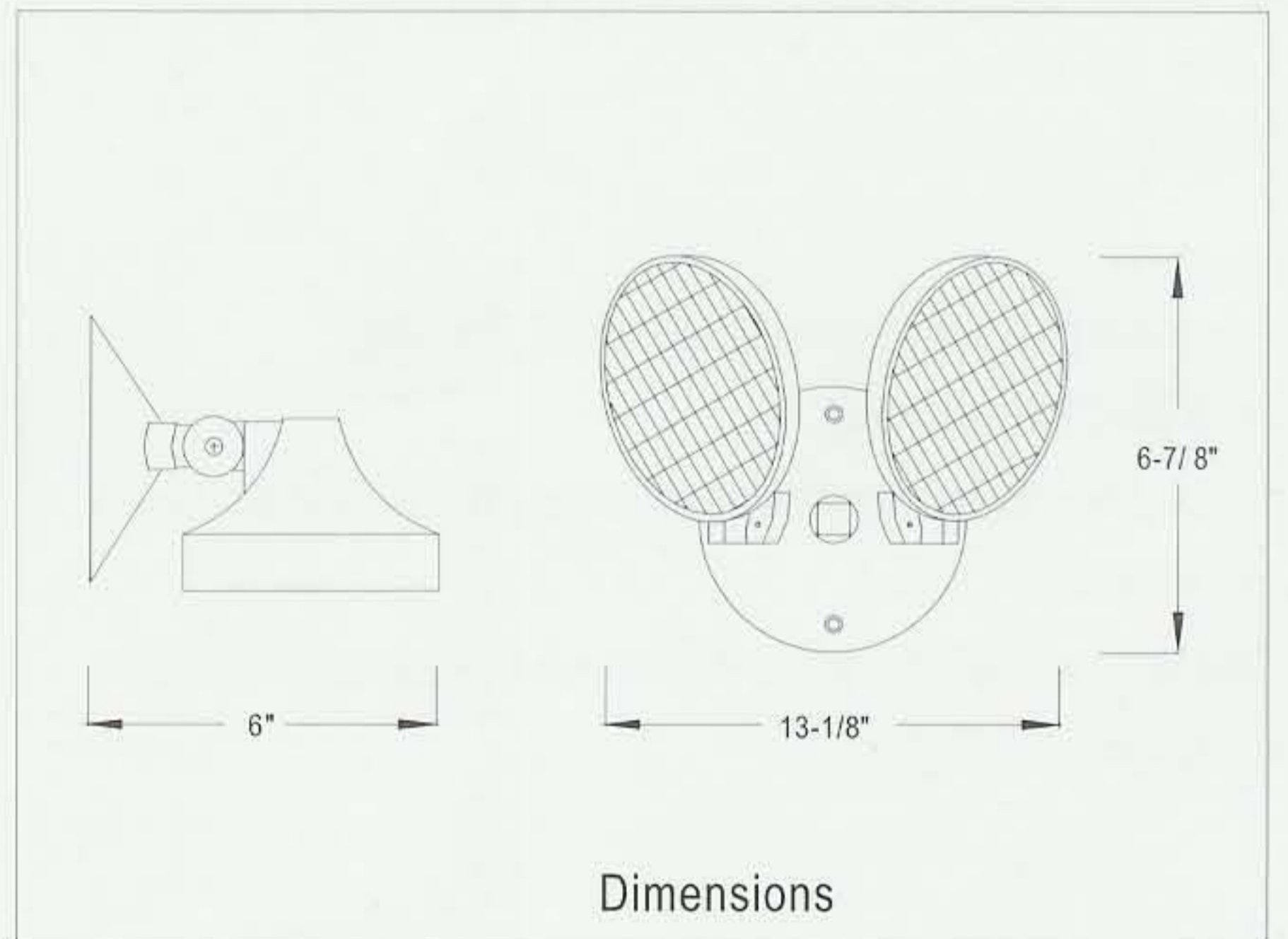
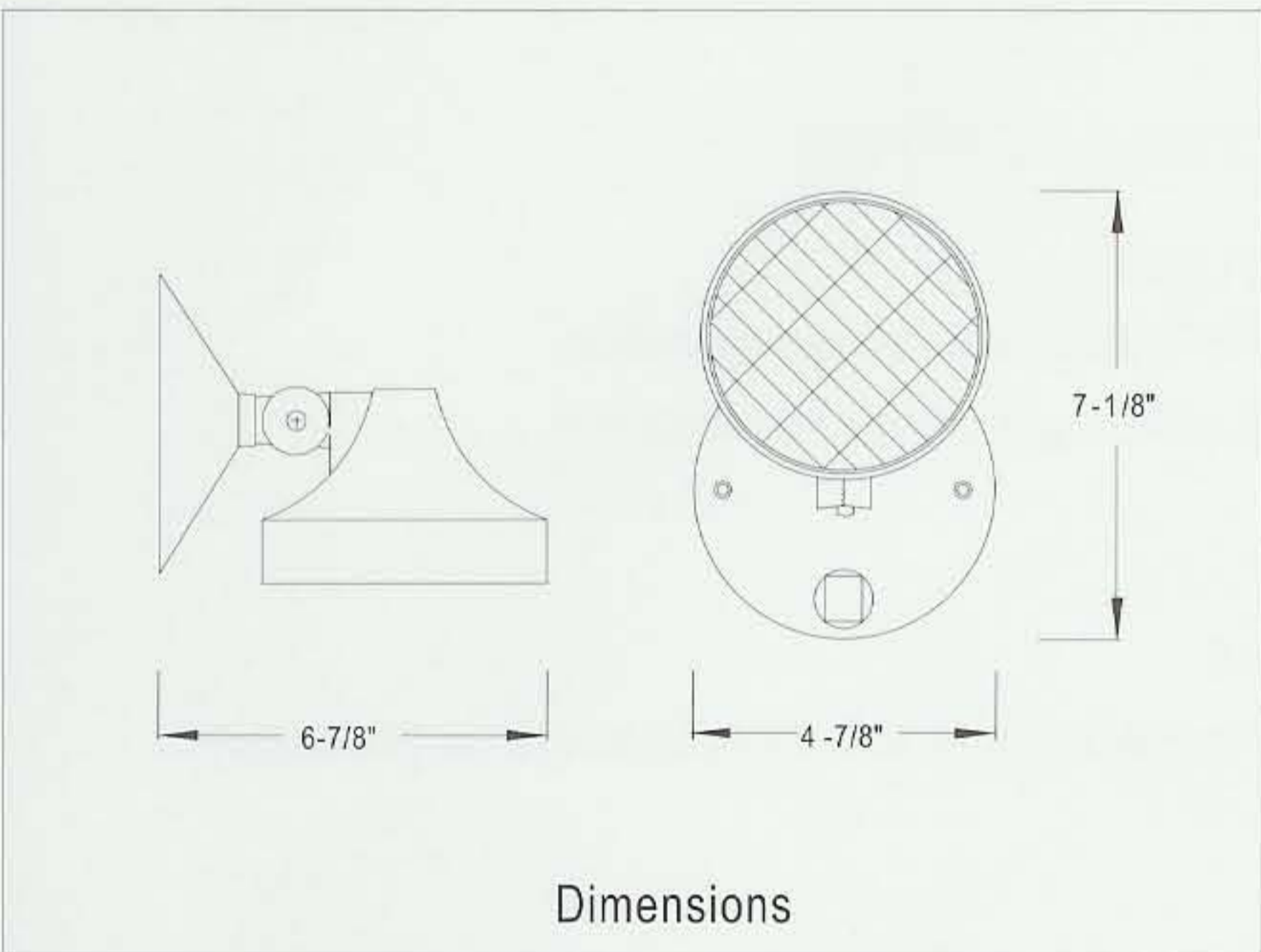


Remote Emergency Heads



EXH-900 Single Remote Head

EXH-910 Double Remote Head

STANDARD FEATURES

- ▶ Injection-molded thermoplastic ABS housing.
- ▶ Fully adjustable glare-free single or double heads.
- ▶ 5" diameter canopy matching round mounting plate for 3" or 4" box standard.
- ▶ 6V 6W DC T5 wedge base lamp for emergency light.
- ▶ Can be used with EECSL-8000 series (our catalog page 9, 10, 11) for additional remote heads.